

*Premier Tour and Travel*

*is excited to announce:*



# Plum High School Music Department

Is on their way to – Disney Orlando FL.

February 26 – March 2, 2027



EPCOT



## Experience marching at Disney's Magic Kingdom



Bringing the joyous sound  
of Plums High School Choir  
and Orchestra to Disney  
Workshops

# Tour includes

- ✓ Roundtrip restroom equipped motorcoach transportation to and from Airports
- ✓ Roundtrip Air (\$600.00 Air flight Allowance)
- ✓ Four (4) nights lodging at Disney's Pop Century Resort
- ✓ (4) Breakfasts
- ✓ (10) Dining Coupons for Meals
- ✓ (1) Five-Day Starter Ticket to Disney World Theme Parks
- ✓ Disney Workshop
- ✓ Nighttime Security
- ✓ Access to the "PREMIER COMPANION" app during your trip.
- ✓ Tour Manager from Premier Tour and Travel throughout your trip
- ✓ Secure online registration/payment system





# WHY SHOULD YOU GET TRIP PROTECTION?

*So many things can happen...*

- Flight Delays or other problems
- Health issues
- Family Emergencies
- Kids changing their minds
- Moving to another school
- Family Events that conflict – weddings, etc



# WITH YOU AND YOUR STUDENT IN MIND, PREMIER TOUR AND TRAVEL OFFERS TWO OPTIONS FOR TRIP PROTECTION

## STANDARD

- ✓ Covers 100 %  
Major Medical  
Family Emergency

## ENHANCED

CFAR (*cancel for any reason*)

- ✓ Covers 100 %  
Major Medical  
Family Emergency
- ✓ Covers 75%  
Any Reason  
Must be purchased within 10  
days of registration with deposit



# *REVIEWING PAYMENTS*

Log on to your account

- At the top right, click on account for drop-down menu
- Choose Payment Timeline to see:
- All payments you have made
- Bulk credits (fundraising that has been applied)
- Dates of upcoming payments due



## *Others can help you by:* ***DONATING*** to your account

- ❖ On your account there will be an option to click on a link to copy
- ❖ Email that link to those who may want to donate
- ❖ It will show them the amount maximum they can donate  
(cannot go over your balance)
- ❖ Minimum amount is \$25 unless balance is less
- ❖ Donor must use credit card and there is a convenience fee
- ❖ Donor will receive a receipt and passenger receives a notification.

# PAYMENTS SCHEDULE

- **1<sup>st</sup> Payment of \$99 plus any Trip Protection per person on/or before May 1, 2026**
- **2<sup>nd</sup> Payment - \$400 per person on/or before June 5, 2026**
- **3<sup>rd</sup> Payment - \$400 per person on/or before July 17, 2026**
- **4<sup>th</sup> Payment - \$400 per person on/or before Sept 4, 2026**
- **5<sup>th</sup> Payment - \$400 per person on /or Before October 16, 2026**

**Balance in full on/or before December 4, 2026**



# PAYMENT METHOD

Enter your payment method when prompted

- Credit or Debit – 3% convenience fee
- ACH transfer – No fee
  - Select your bank from drop-down box
  - If your bank isn't listed, follow the directions for microdeposits



# LARGE SUITCASES



**Need to be brought to the school on the day the equipment drivers are packing and leaving. This may be a day or two before the students leave. Will advise closer to the time of departure.**

# SOUTHWEST PERSONAL ITEM GUIDELINES

## Personal item

Your personal item should fit under the seat in front of you.



### Measure carefully before you fly!

If your bag is too large to carry on or you're bringing more than one carryon or personal item, be sure to check item(s) at the ticket counter before you head to your departure gate.

### Traveling with a pet?

Your pet carrier counts as either your carryon bag or your personal item.

See the TSA's full list of [prohibited carryon items](#).

### Important:

If your itinerary includes a [partner airline](#), their carry-on and personal item guidelines may differ.

## I want to know about the carryon & personal items policy

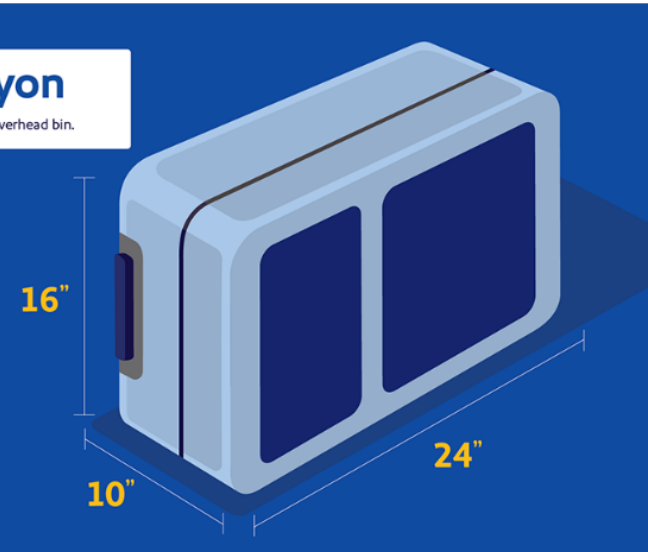
[Baggage](#) [Carryon baggage](#) [Carryon bags and personal items](#)

You may bring one carryon bag and one personal item onboard.

- Carryon bag
  - Goes in the overhead bin.
  - **Size limit: 24" (length) x 16" (width) x 10" (height).**
    - *Wheels, handles, and any attachments count toward these dimensions.*
  - **Examples:** roller bag, small suitcase.

## Carryon

Placed in the overhead bin.



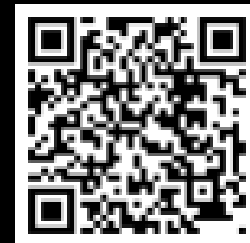
- Personal item
  - Goes under the seat in front of you.
  - **Examples:** purse (including crossbody bags), briefcase, laptop case, backpack, pillow (neck pillows do not count toward the carryon limit), blanket, small camera.

**So, Let's Get You and  
Your Student started on a  
great experience**



# REGISTRATION

- Scan the QR code on flyer:
  - If you have had an account before with same email, may need Trip Code **27121ORL**
- An adult, 18 or older, must be account holder. You add passenger for your child.
- Complete all information & sign all necessary documents
- **Completed registration and deposit + insurance (if selected) = confirmed registration**
- Registration ends May 1, 2026 +





## NEW ACCOUNT

# Create an account

Already have an account? You can [log in](#) instead.

### Email

### Password

Must have at least 8 characters.

I agree to the [Terms of Service](#) and [Privacy Policy](#)

Create account

## CONFIRM EMAIL

# Confirm email address

We just sent you an email with the subject *Confirm your email*. Once you find it, click the *Confirm* button.

Not seeing the email? Try these steps:

1. **Give it two minutes.** Sometimes sending emails can take a moment.
2. **Did you spell your email right?** You wrote *kathlyn+35@groupcollect.com*. If that's wrong, just log out and register again.
3. **Check your spam folder.** If our email is there, mark it as "not spam".
4. **Resend the email.** Still not seeing it? Click the button below to resend!

Resend email



## Confirm you're an adult

You must be 18 or older to use this system.

### YOUR Date of birth

Format is MM/DD/YYYY

Save



## Create your profile

① Enter your own personal details here.  
You will be asked for traveler details in the next steps.

Your date of birth

02/26/1989

Your first name

Ferris

Your last name

Bueller

Your phone number

Any format you like. For example: (202) 234-1234

(904) 867-5309

Save



## Where do you live?

We need this information for compliance reasons or in case we ever need to send you a check.

Street

City

State

Select one



Zip

Country

United States



Save





## Will you be traveling?

- Yes, I will be traveling.
- No, I'm registering someone else.

Next

← BACK TO TRIP

### Add a new passenger

We'll need to stay in touch even after you complete registration. Getting prepared for a trip like this will require on-going communication until the day of departure.

#### Passenger Details

**First name**

As it appears on travel documents.

**Middle name or initial**

As it appears on travel documents. Leave blank if you don't have one.

**Last name**

As it appears on travel documents.

**Preferred name (optional)**

What would you like others to call you?

**Phone number (required for adults)**

Any format you like. For example: (202) 234-1234

**Date of birth**

Format is MM/DD/YYYY. For example: 12/31/2012

**Gender**

We recognize that gender identity may not always fit in a box. Here, we're required to ask the gender that appears on your government documents.

- Male  Female  X

Add

Cancel



## Passengers

These are the passengers who are traveling.

**i** Only add passengers that will be paid for through this account.

Full Legal Name

**Jeanie Bueller**

Age

**Child**

EDIT

**+** [Add another passenger](#)

Next

## Address for Jeanie Bueller

### Street

Street name, number, apartment etc.

4160 Country Club Dr

### City

Long Beach

### Region

California

### Country

United States

### Zip

90210

Save



## Package for Jeanie Bueller

Now let's select a package for this passenger.

**Student Package** **\$1,000.00**  
 Shared room with 4 students and 2 beds

**Adult Package** **\$1,000.00**  
 Shared room with 2 adults and 2 beds

Save

## Travel Protection for Jeanie Bueller

We recommend protecting your travel investment with travel insurance. We offer travel insurance as part of a travel protection plan serviced by our partner, Trip Mate.

For more information see [Important Disclaimer](#) and [Consumer Disclosures](#)

For more information see [Important Disclaimer](#) and [Consumer Disclosures](#)

**Standard Protection** **\$46.00\***  
 Standard protection includes the following benefits:  
 • Trip Cancellation • Baggage & Personal Effects  
 • Trip Interruption • Baggage Delay  
 • Trip Delay • Accident & Sickness Medical Expense  
[Read full plan details](#) for exclusions and limitations.  
 \* The Standard Protection Plan includes fees for non-insurance assistance services plus insurance benefits

**Enhanced Protection** **\$76.00\***  
 Enhanced Protection includes the following benefits:  
 • Cancel for Any Reason (including Covid-19 which is treated as any other illness)  
 • Cancel for any non-covered reason otherwise covered by this plan and be reimbursed up to 75% of the prepaid, non-refundable trip payments.  
 • Cancellations must be made no later than 2 days prior to the scheduled departure.  
 • Includes all the benefits of Standard Protection:  
 • Cancel for any reason covered by the Standard Protection plan and be reimbursed up to 100% of the prepaid, non-refundable trip payments.  
[Read full plan details](#) for exclusions and limitations.  
 \* The Enhanced Protection Plan includes fees for non-insurance assistance services plus insurance benefits.  
  
 This plan is available for 14 days after your initial deposit. If you purchase the plan within 14 days of the date of your initial payment or deposit is received, the plan exclusion for pre-existing medical conditions will be waived and coverage is available under the Cancel for Any Reason benefit. Additional terms apply.

**Decline**  
 I'm choosing to decline any travel protection. I understand that if I choose to cancel my travel arrangements, any refunds will be subject to the Terms and Conditions.

Save



## Trip Costs

**Jeanie Bueller**

Package  EDIT  
**Student Package (\$1,000.00)**

Trip Protection  EDIT  
**Opted out (\$0.00)**

Looks good



## Medical Information

Airborne Allergies (optional)

Doctor's phone (optional)

Family Doctor (optional)

Group Number (optional)

Insurance Carrier Name (optional)

Member/ID Number (optional)

Other Allergies (optional)

Other Relevant Info (optional)

Any other medical conditions, medication, prescriptive eye-wear, etc.



## Review answers

 **Jeanie Bueller**

Dietary Restrictions/Food Allergies

**NONE**

 EDIT

Looks good



## Add Emergency Contact

We recommend your emergency contact be someone who is not traveling on this trip.

### Name

### Cell phone

Any format you like. For example '(202) 234 1234'

### Work phone (optional)

Save contact



## New Refund Policy

Here are details about the signatures we have on file for this document. Please note: our platform does not allow documents or signatures to be edited.



### Your legal name

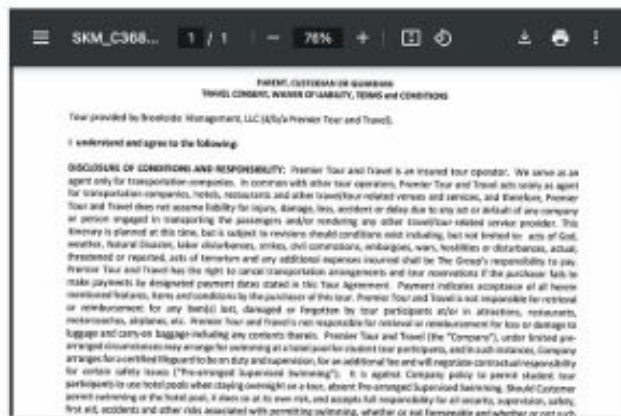
Please provide your entire legal name. The name you used when registering is Ferris Bueller.

I agree to the terms and conditions provided above, and hereby certify that I am at least 18 years of age.



## Parental Waiver

Here are details about the signatures we have on file for this document. Please note: our platform does not allow documents or signatures to be edited.



### Your legal name

Please provide your entire legal name. The name you used when registering is Ferris Bueller.

I agree to the terms and conditions provided above, and hereby certify that I am at least 18 years of age.



## Choose payment amount

The suggested amount will cover your next payment due Oct 18.

### How much would you like to pay today?

- Deposit (\$200.00)
- Full amount (\$1,000.00)
- Custom amount

Next



## Choose payment method

You can pay from your checking account or with a credit/debit card.  
Credit and debit card payments are charged a 3.0% convenience fee.

### Full name

Full name of the card holder or checking account owner.

Ferris Bueller

 US bank account

 Card

Card number

4242 4242 4242 4242

VISA

Expiration date

02 / 28

Security code

456



Country

United States

Zip code

12345

By providing your card information, you allow GroupCollect to charge your card for future payments in accordance with their terms.

Save



## Checkout

Almost done! Just review the details below and pay.

### Payment Method

Visa card ending in 4242

[Change](#)

### Summary

Jeanie Bueller

\$200.00

**Today's total**

**\$200.00**

[Back to payment amount](#)

Pay



## Enable AutoPay for future payments?

AutoPay ensures you'll never miss a payment due date. By choosing to enable AutoPay, you're allowing your preferred bank or credit card to be automatically charged each time a payment becomes due for this trip.

- Yes
- No

Save



Premier Tour & Travel Test  
Shermer High School - Orlando 2025  
Mar 01-12, 2025 • Orlando, FL



## Payment receipt

This is a confirmation of your trip payment to CCIS Test.

### Summary

Payment for Jeanie Bueller:	\$200.00
<b>Total</b>	<b>\$200.00</b>

### Payment Information

Paid on	Sep 05 2024
Paid using	Visa ending in 4242
Card holder	Ferris Bueller
Paid by	Ferris Bueller
<b>Will show on your statement as</b>	<b>GRCOLL.CO/1GY2JE</b>



SHERMER HIGH SCHOOL - ORLANDO 2025

**Donations**

**NEW**



Each traveler can receive donations towards their trip. Copy the link below and share it with people who want to donate.

[Learn more about the donation feature by clicking here](#)

**Jeanie Bueller**

<https://demo.groupcollectedemo.com/v2/fundraiser/5fxPc> **COPY**

**Donate to Jeanie Bueller For Their Trip!**

Jeanie Bueller is looking to travel on the trip Shermer High School - Orlando 2025 and would appreciate your help with a donation.

Destination  
**Orlando, FL**

Travel Dates  
**Mar 01-12, 2025**

Remaining amount  
**\$600.00**

**Donate now**



## REGISTRATION STILL OPEN

You can add more passengers to this trip until Dec 31.

[Add passengers →](#)

[← BACK TO FRP](#)

### Add existing passengers?

Would you like to add some passengers from previous trips or add new ones?

Existing passengers  New passenger

#### Passenger Details

**First name**

As it appears on travel documents.

**Middle name or initial**

As it appears on travel documents. Leave blank if you don't have one.

**Last name**

As it appears on travel documents.

**Preferred name (optional)**

What would you like others to call you?

**Phone number (required for adults)**

Any format you like. For example: (202) 234-1234

**Date of birth**

Format is MM/DD/YYYY. For example: 12/31/2012

**Gender**

We recognize that gender identity may not always fit in a box. Here, we're required to ask the gender that appears on your government documents.

Male  Female  X

Add

Cancel

# “PREMIER COMPANION” APP



Your Group  
Destination  
Dates

We are producing a storytelling, keepsake video made from favorite photos shared by your group.

Powered by: Since 1999

The login codes below are all you need to use the app. No emails or phone #'s needed.

Username: **TBA** Password: **TBA**  
YOU HAVE UNTIL 10 Days after trip TO INCLUDE YOUR PHOTOS.

This is part of your tour package with no additional cost.

Memories made on your trip will last a lifetime!

- Watch the storytelling video on the app. Stream to TV.
- View all shared photos. Save your favorites.
- Share photos with family and friends.
- Download the video. Save. Cherish for a lifetime.

Horizontal photos will look best on your video.



Scan the QR code or SEARCH THE APP STORES FOR "Group Travel Videos"

For all the features of the app to work, allow ALL permissions at login.

INTERNATIONAL TRAVELERS USE A FREE WIFI CONNECTION WHEN SHARING PHOTOS. USING YOUR DATA PLAN CAN BE VERY EXPENSIVE!

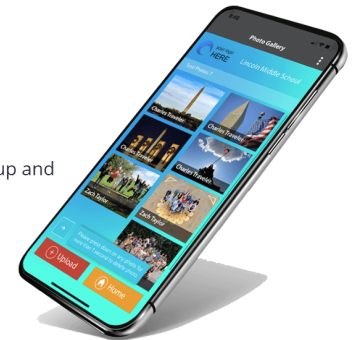
## Group Texting Made Simple

Group leaders can send messages to the entire group or individuals without requiring anyone's phone number.



## Private Photo Sharing

Pictures can only be seen by the group and their family members back home.



## Share Documents

Share information with your entire group and family back home, no paper necessary.



- Itinerary Updates
- Emergency Contacts
- Travel Rules
- Meeting Points
- Educational Videos
- Quizzes & Tests
- Rooming Lists
- Scavenger Hunts



## Locate Your Travelers

Keep track of your group, establish meeting points, and assist in finding travelers.



# “PREMIER COMPANION” APP PARENT ADVANTAGE

**Stay Connected from Home** – Follow along through a secure, private photo & document gallery updated in real time.

**Peace of Mind** – Mapping feature lets trip leaders/travelers locate each other and keep groups together.

**Instant Updates** – Travelers receive important trip announcements and messages right on their phone.

**Shareable Highlights** – 1-minute highlight video is perfect for showing friends, family, and social media followers.

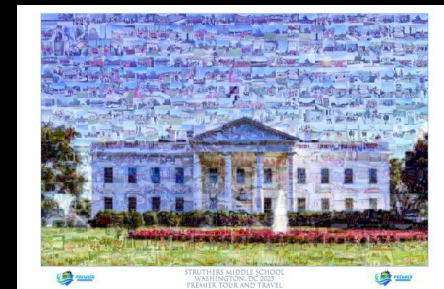
**A Family Treasure** – Download and keep favorite photos, videos, and keepsakes forever.

**Organized & Hassle-Free** – Digital access to itineraries, documents, and trip details—no paperwork to lose.

**Share with Loved Ones** – Parents and students can revisit and share the memories anytime, proudly showcasing the trip to loved ones long after the journey ends.

**Keepsake Video** – This professionally edited storytelling video captures the journey from start to finish.

**Private** – No account to set up so no email address or phone numbers are shared



Questions?

THANK YOU  
For Traveling with





# Current Fundraisers

- **Marianna's Hoagies/Pizza/Salsa - \$6 profit hoagie/pizza, \$3 salsa**
  - **Student Accounts**
  - **Orders Due: April 8<sup>th</sup>**
  - **Delivery: April 21<sup>st</sup>**
- **Hoopswagg Socks - 35% profit**
  - **General Funds**
  - **Online store open through March 31<sup>st</sup>**



# Tentative Fundraisers

- Poppin Popcorn – 50%
  - Student Accounts
  - Online Sale: May 1-22
  - Shipped directly to buyer
- Rocket Car Wash - \$6 profit
  - General Funds
  - Digital car wash coupon - \$10
  - Sale dates: April 1-30



# Tentative Fundraisers

- **Social Media Tip Boards**
  - Yeti
  - Scratch Offs
  - Cash
- **Meat Raffle Ticket**
- **More to come over the summer & fall! Keep an eye on your email and follow us on Facebook – *Plum High Music Boosters***
- **Other Ideas?**



# Alle-Kiski Band Festival

- September 22 (23<sup>rd</sup> rain date)
- Committees
  - Sponsorships
  - Candygrams/Airgrams
  - Basket Raffle
  - 50/50 Raffle
  - Concession Help
  - Digital Program
  - T-Shirts
  - Bus Parking
- Will be sending out a sign-up genius for all dates in the next week or so. We need lots of VOLUNTEERS!

*We need  
EVERYONE'S  
help to  
maximize profits!  
100% goes to  
the Disney trip!*



# Spring Concert Candigrams & Donation Drive

- Selling Candigrams during all elementary and middle school concerts
- Have donation buckets for high school concerts
- Need volunteers to help sell & collection donations during these concerts
- Will be sending out a sign-up genius for all dates in the next week or so. We need lots of VOLUNTEERS!
- **ALL MONEY RAISED GOES TO OFFSETTING TRIP COSTS!**



# Fundraising Funds

- Student Account Deposits will be made to their travel account before each payment is due
  - All funds in your student's account will be sent unless you've reached out to us in writing via email before the funds are sent
- Check your student account total by emailing Erin Hill
  - [fr199898@yahoo.com](mailto:fr199898@yahoo.com)



# Where To Find Trip Info

- Website – [www.plummusicboosters.org](http://www.plummusicboosters.org)
  - Membership
  - Fundraising
  - Events – 2026 Disney Trip
- Emails – from [theplummusicboosters@gmail.com](mailto:theplummusicboosters@gmail.com)
- Facebook - <https://www.facebook.com/plumhighmusicboosters>

